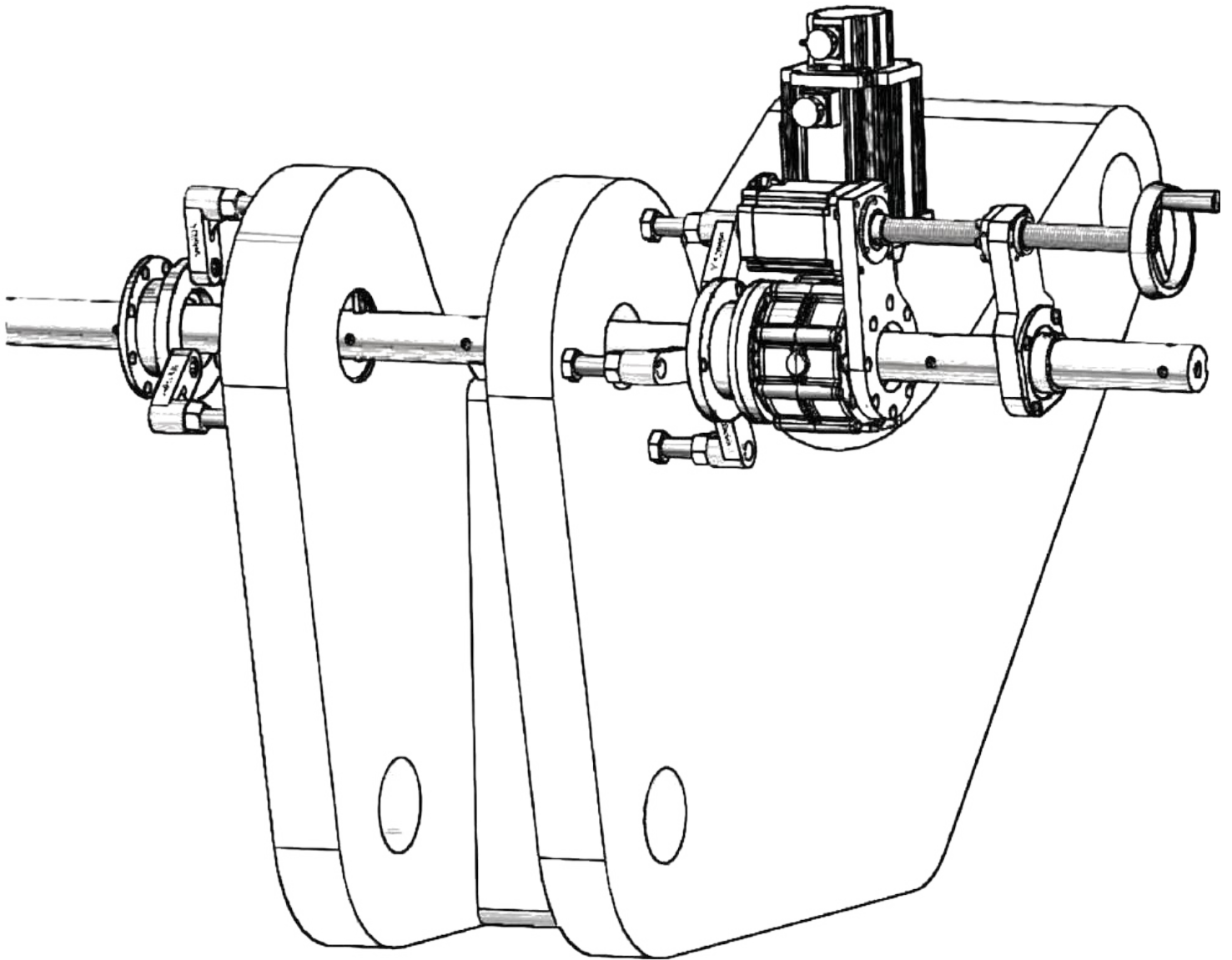


BOS

BORE ON SITE



BOS-DS50

**INTELLIGENT LINE BORE
MACHINE WITH WELDING ATTACHMENT**



Product Features

Line Boring

LINE BORING

Line boring can be operated automatically and manually, hole diameter can be customized.

Welding

AUTOMATIC WELDING

Simple operation, enter the hole diameter into the control panel & select auto welding function. Rotation and feed both will be automatic.

Five Functions

Sector welding

SECTOR WELDING

Sector welding can be set to make elliptical hole repair, it can easily even out oval bores.

Jump Welding

JUMP WELDING

Jump welding, can avoid grease holes, key ways & etc. 15mm clearance will be kept.

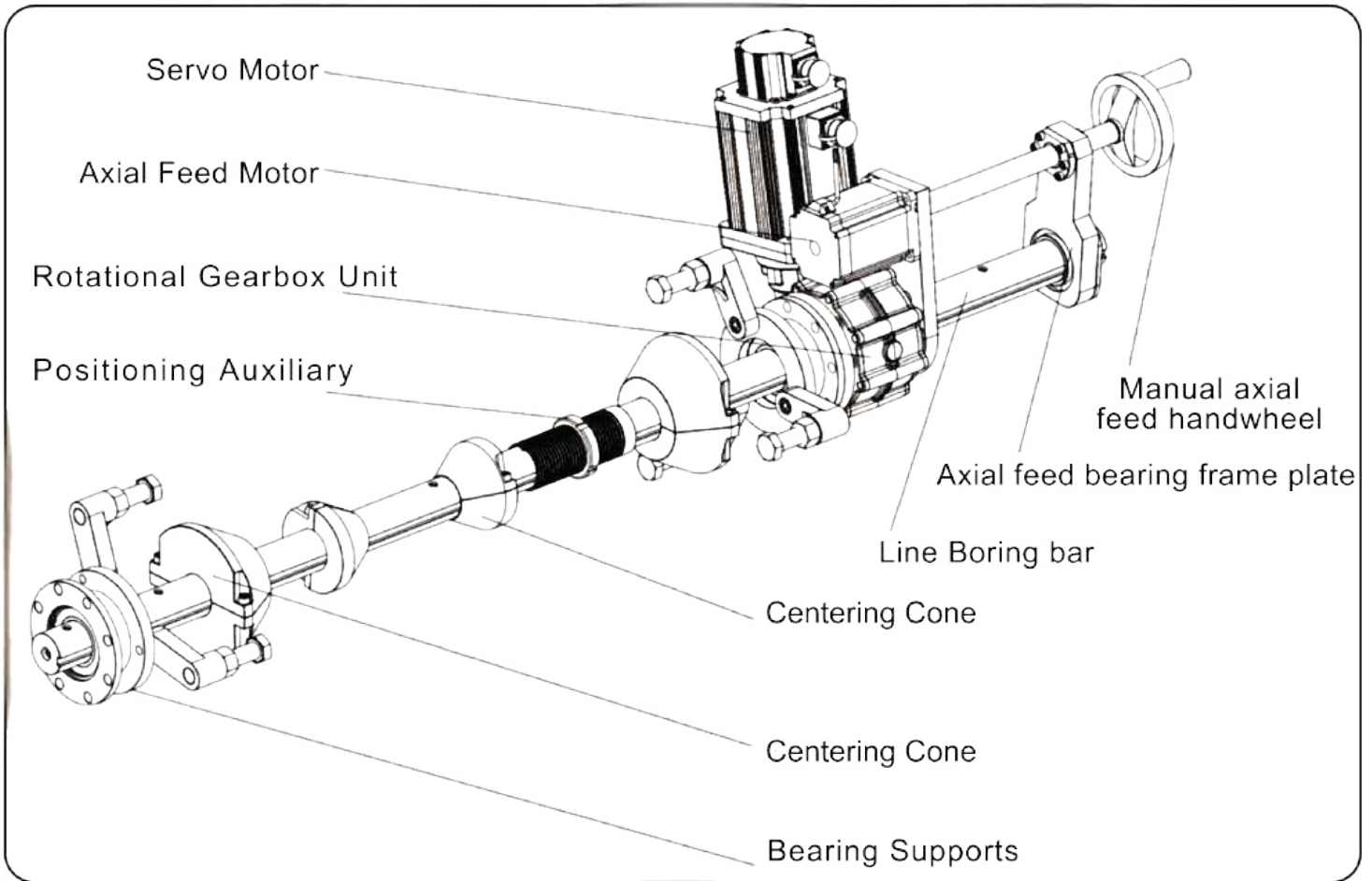
Flange Facing

FLANGE FACING

Flange facing can complete the rough machining of excavator bore surface. Bore face can be easily made using this Flange Facing Tool.



Product Part Name



• Servo Motors



• Axial Feed Motor



• Rotational Gearbox Unit



• Positioning Auxiliary



• Bearing Supports



• Centering Cone Big Size



• Centering Cone Small Size



• Line Boring Bar



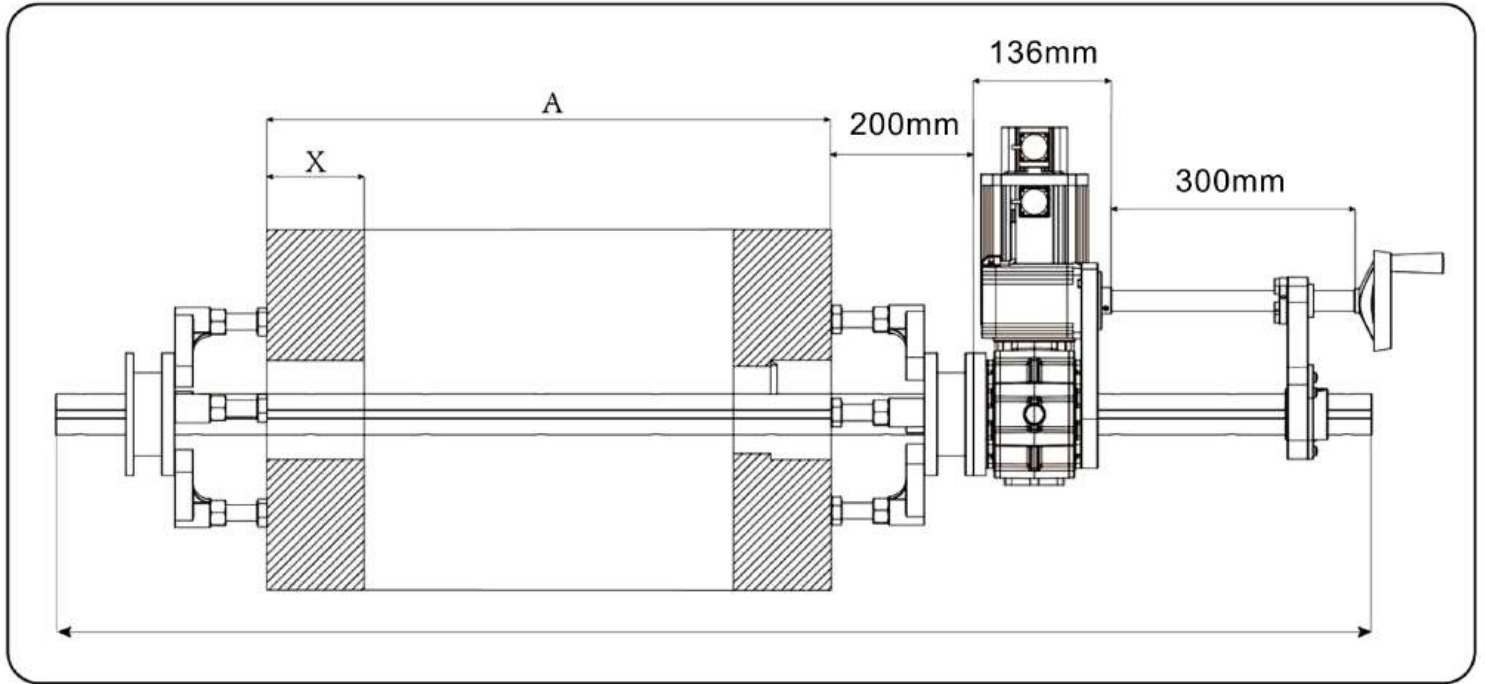
• Axial feed bearing frame plate



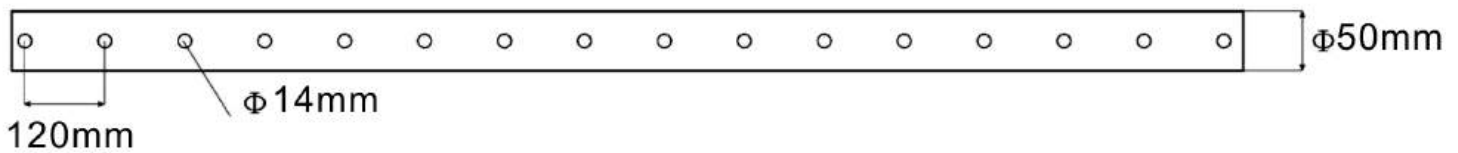
• Manual axial feed handwheel



Product Dimensions



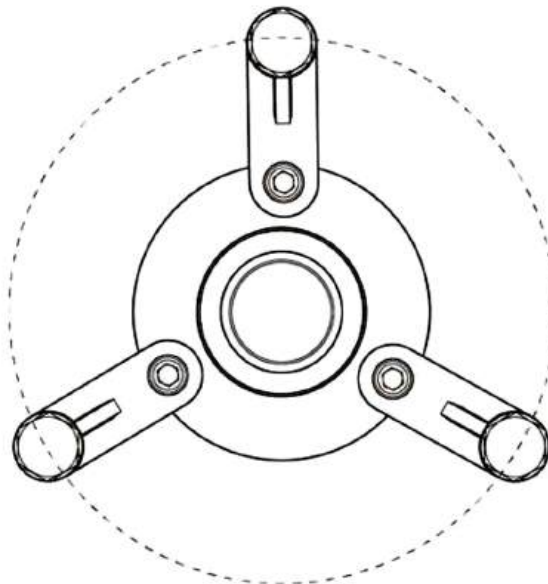
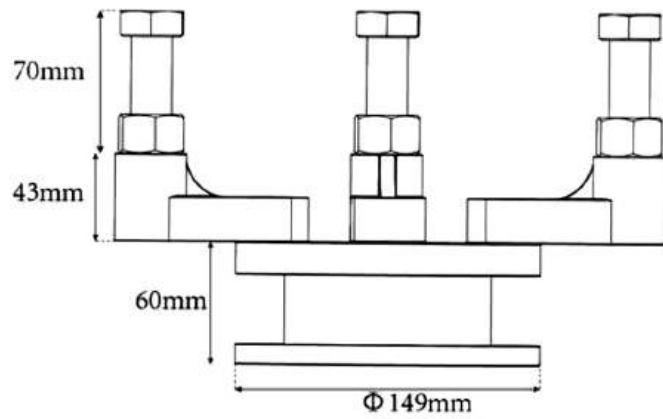
Boring bar as standard: 1600mm



• (Standard) Boring Bar Diameter: 50mm*1600mm



Bearing Bracket

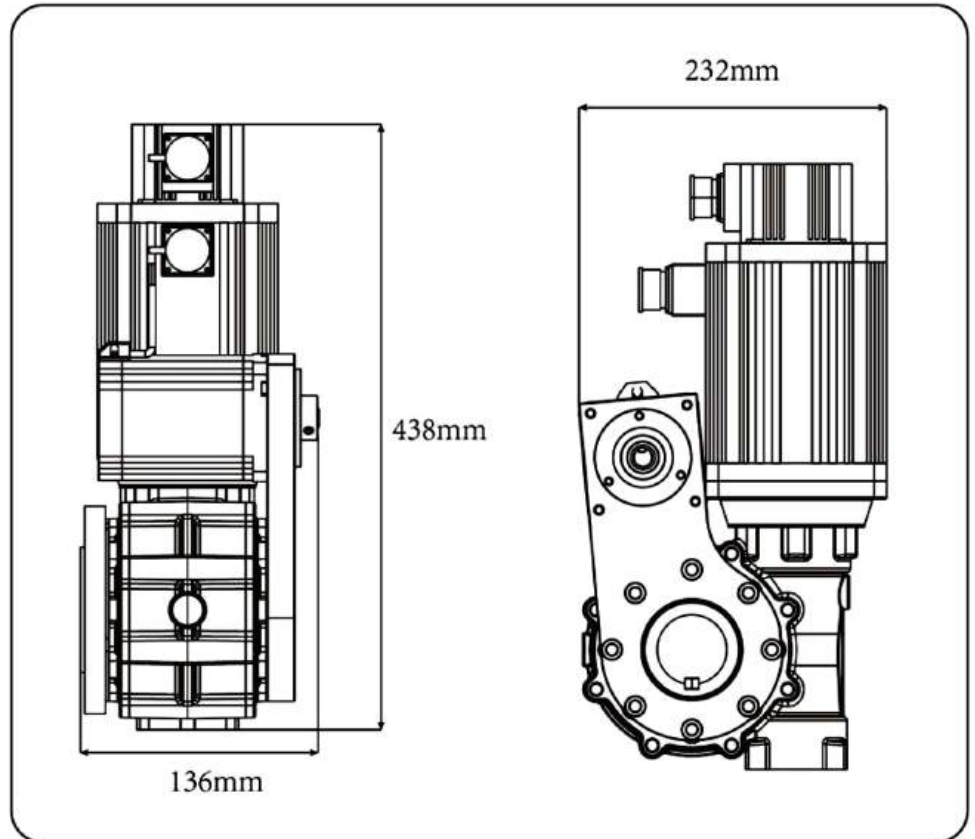


$\Phi 55\text{mm}-270\text{mm}$

- (Standard) Bearing frame: 55-270mm



Servo Motor Module

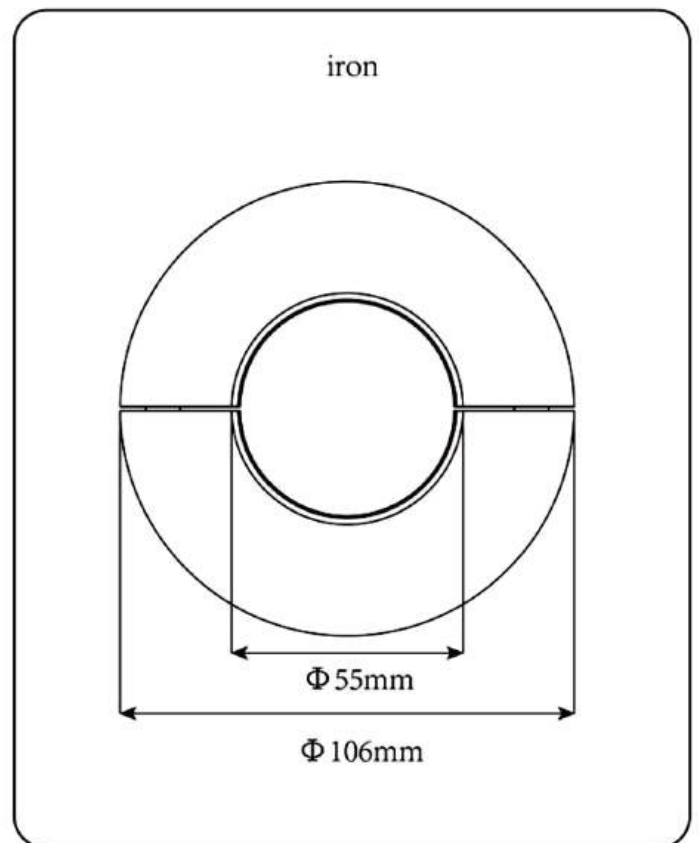
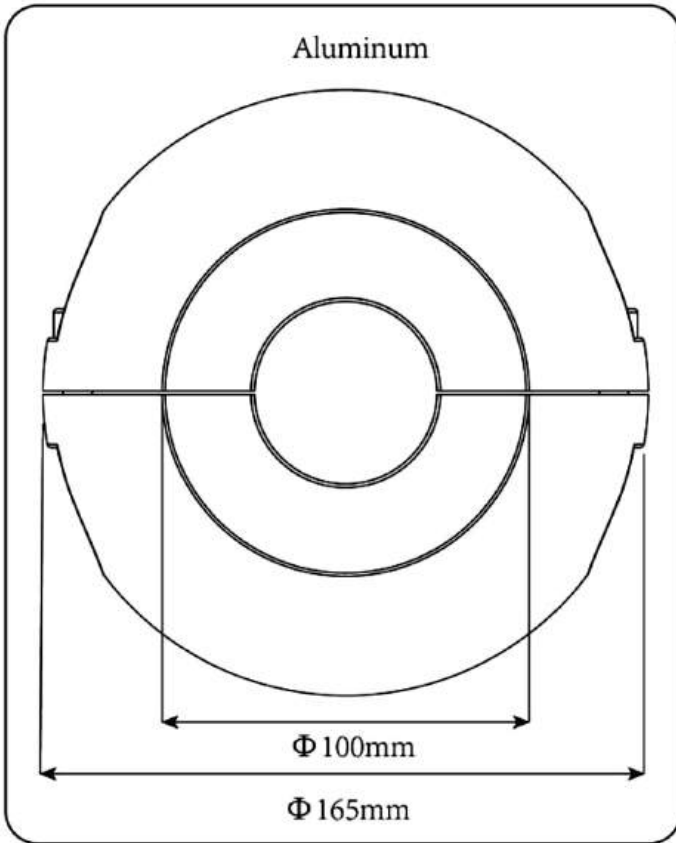
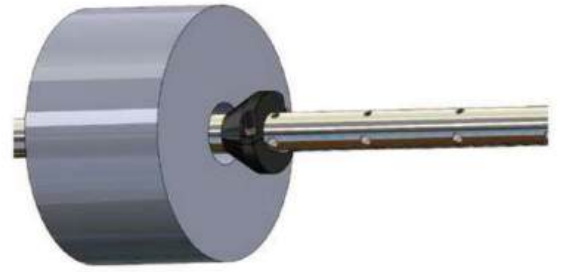
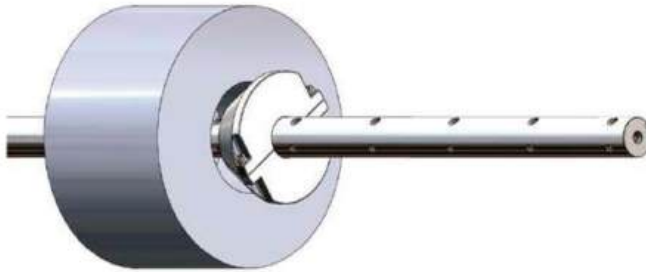


SERVO MOTOR (HEAVY DUTY)

- W • Rated Power: 3100w
- Hz • Hertz Range: 50-60hz
- N.m • Output Torque: 130nm
- V • Optional Voltage: 220v/380v
- W • Axial Feed Motor Power: 400w



Centering Cone



Centering Cone



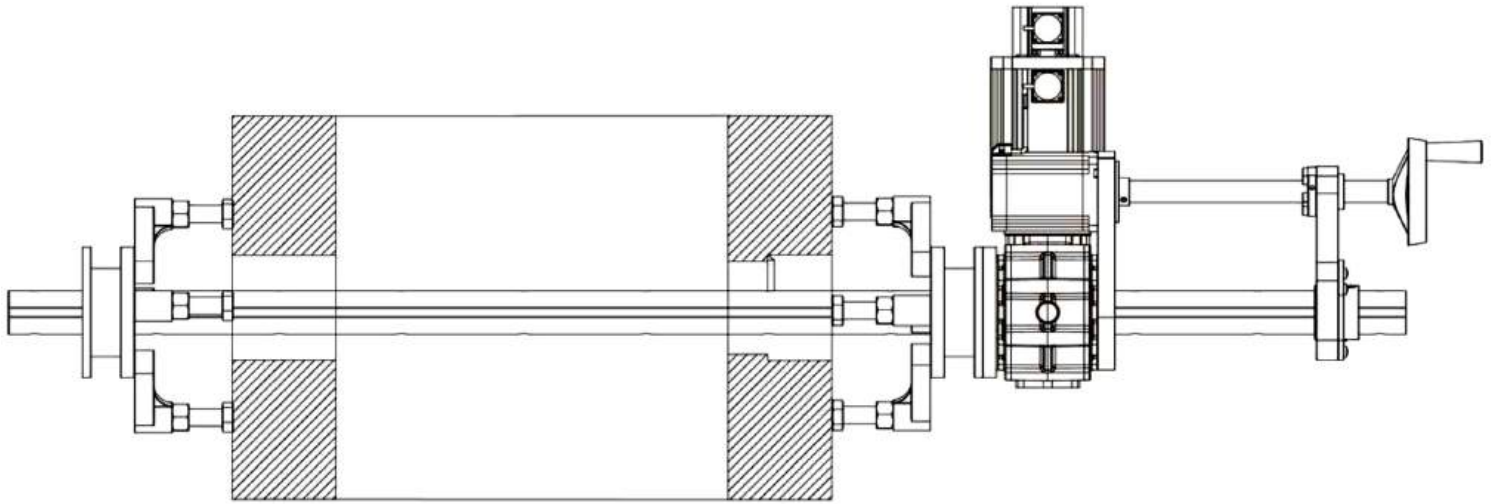
- Big Centering Cone: $\Phi 100\text{-}164\text{mm}$



- Small Centering Cone: $\Phi 55\text{-}105\text{mm}$

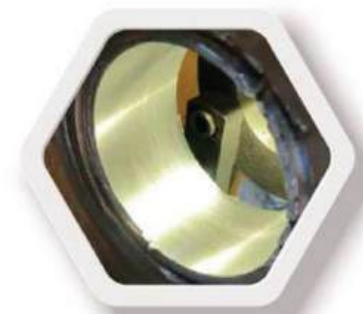


Auto Line Boring



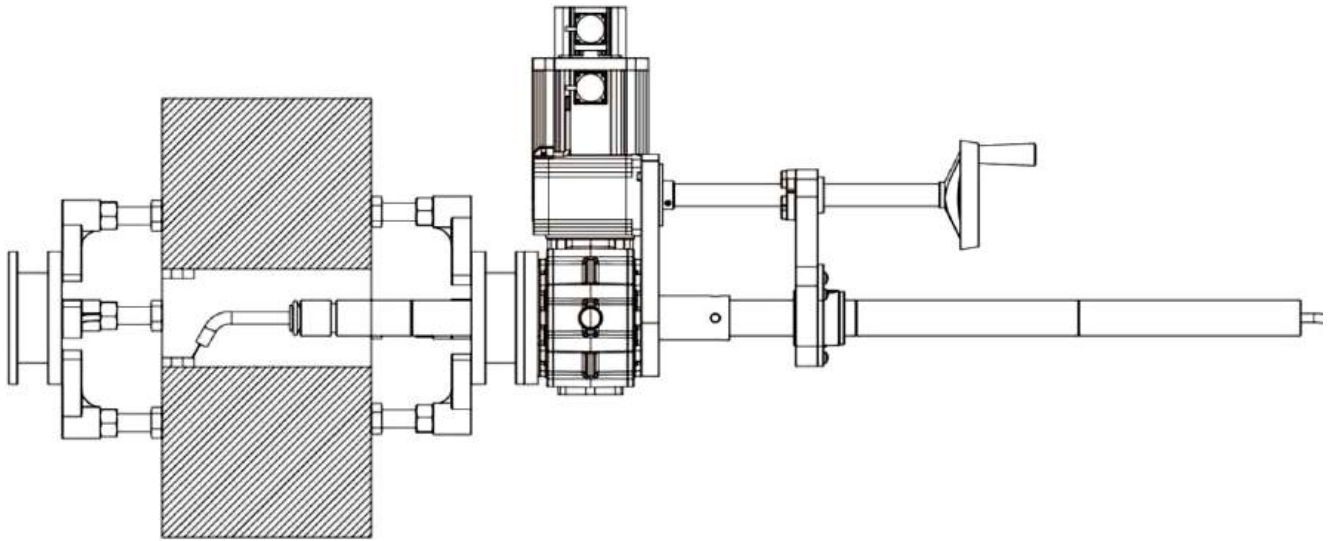
LINE BORING

- Boring Range : 55~160mm
- Spindle Speed : 50-255 RPM
- Speed Mode : Stepless Speed
- Axial Feed Mode : Automatic / Manual
- Fixing Method : Welding
- Axial Feed Speed : 0.01-0.5 mm Per Min
- Cutting Thickness : 0.02 - 6mm Per Side
- Tool Holder : 14mm Diameter
- Ra : 3.2



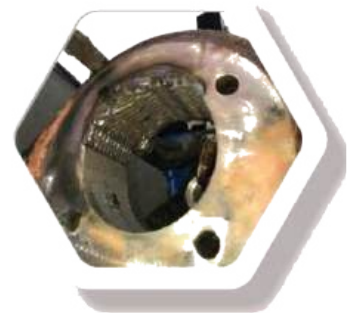
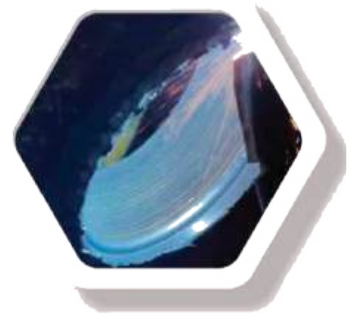


Auto Welding



AUTO WELDING

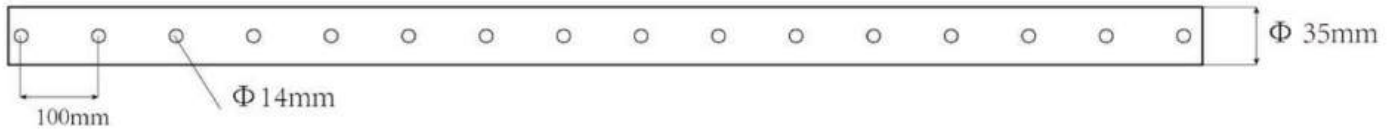
- Welding Range: 45-160mm (optional)
- Welding Thickness: 3-4mm
- Welding Cable Length: 4540mm
- Welding Shaft Length: 200mm/240mm/
350mm/800mm
- Welding Shaft Assembly Total Length: 1400mm
- Applicable Welding Machine: 210-500 MIG
- Applicable Welding Wire Diameter: 0.8/1.0/1.2
- Applicable Welding Method: Co2 Gas Shield Welding
- Welding Function: Spiral Welding,
Bore Welding, Sector Welding, Jump Welding





Boring Shaft 35mm

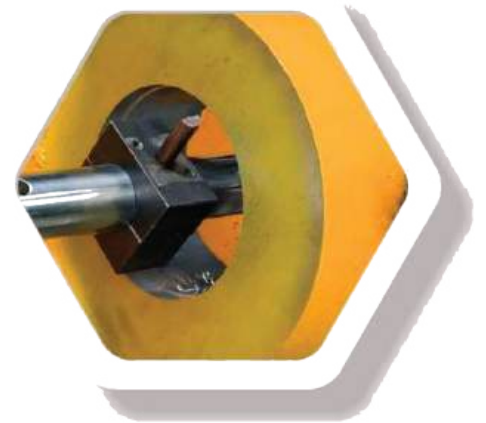
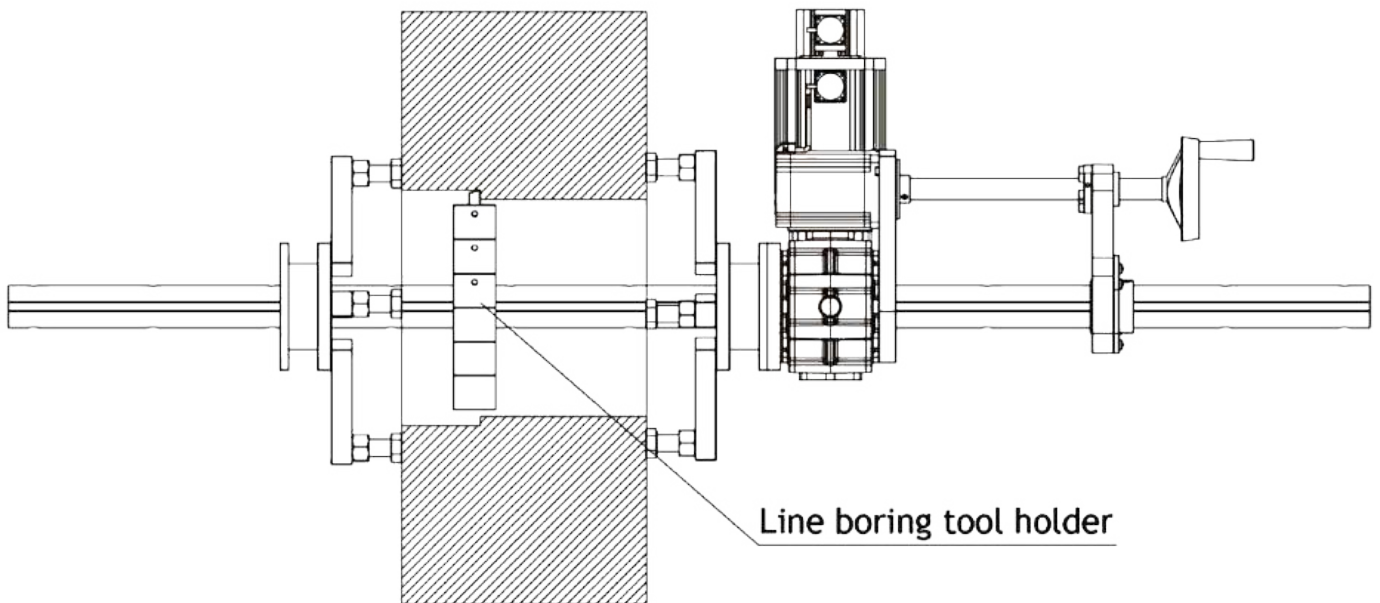
Boring bar as standard: 1200mm



- Optional 35mm System: Line Boring $\Phi 40-75\text{mm}$



Extension Kit 300mm

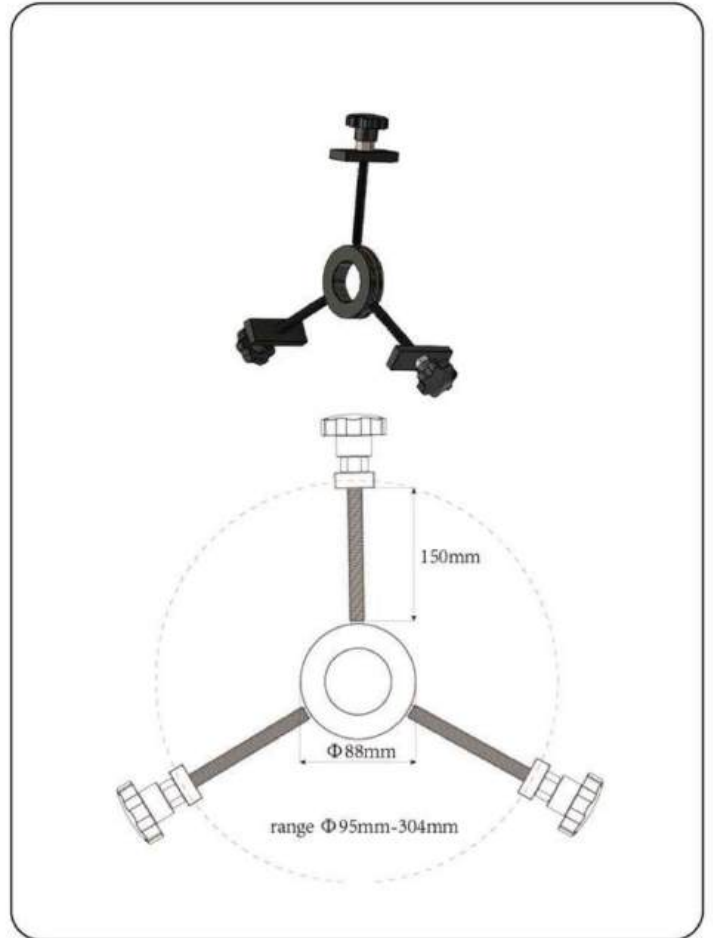
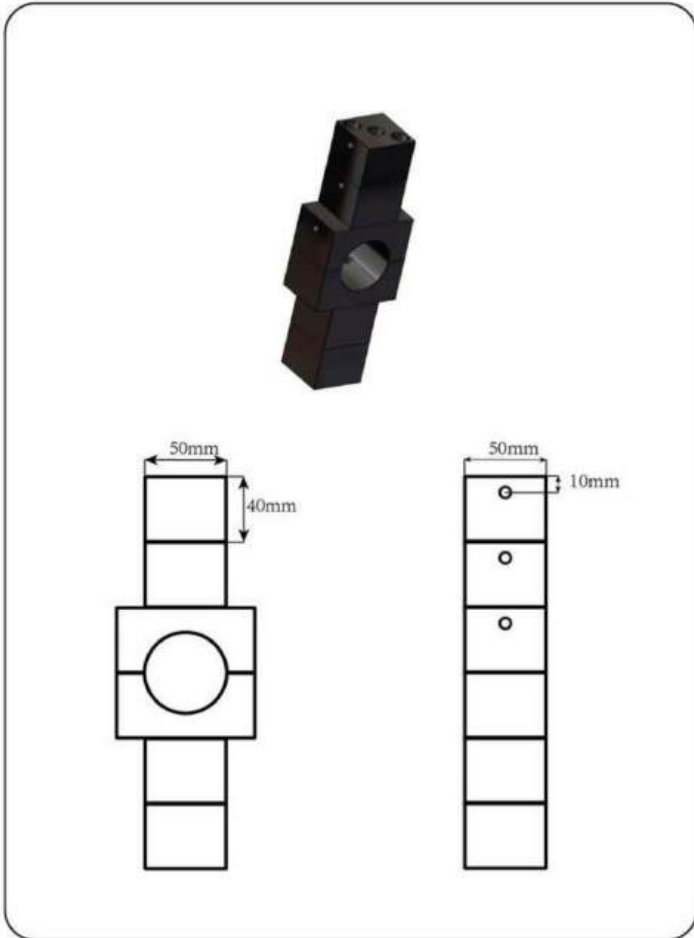


Optional 300mm System

- Processing range: 120mm-300mm
- The modular type line boring tool holders can be freely assembly
- The hole welding can reach up to 300mm



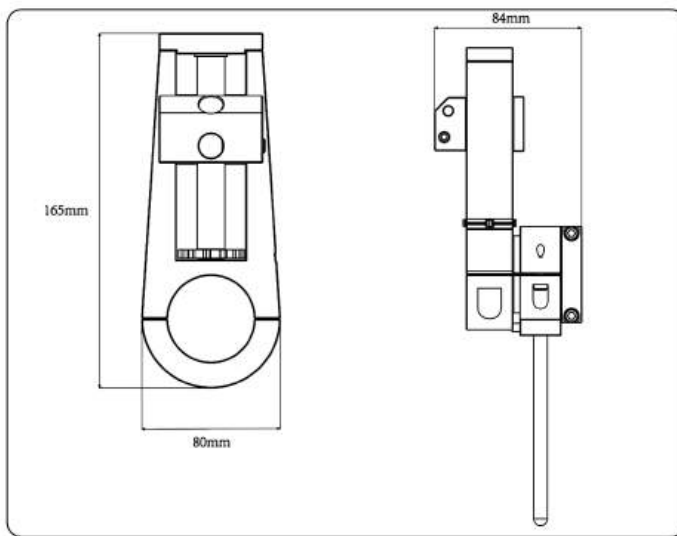
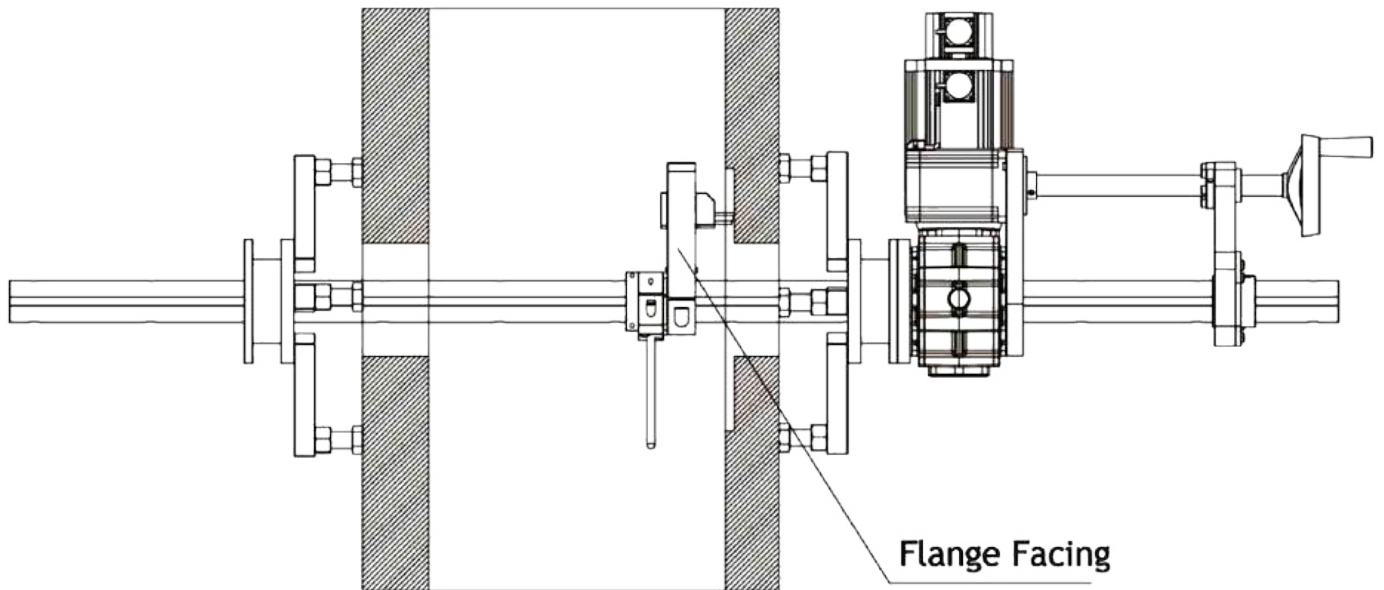
Extension Kit 300mm



- 300mm Modular Type Line Boring Tool Holder Set



Facing Tool



FLANGE FACING

- The Inner Diameter is 50mm
- The Feed Speed Follows The Spindle
- Flange Face Processing Diameter: 120mm-300mm



BACKHOE LOADER



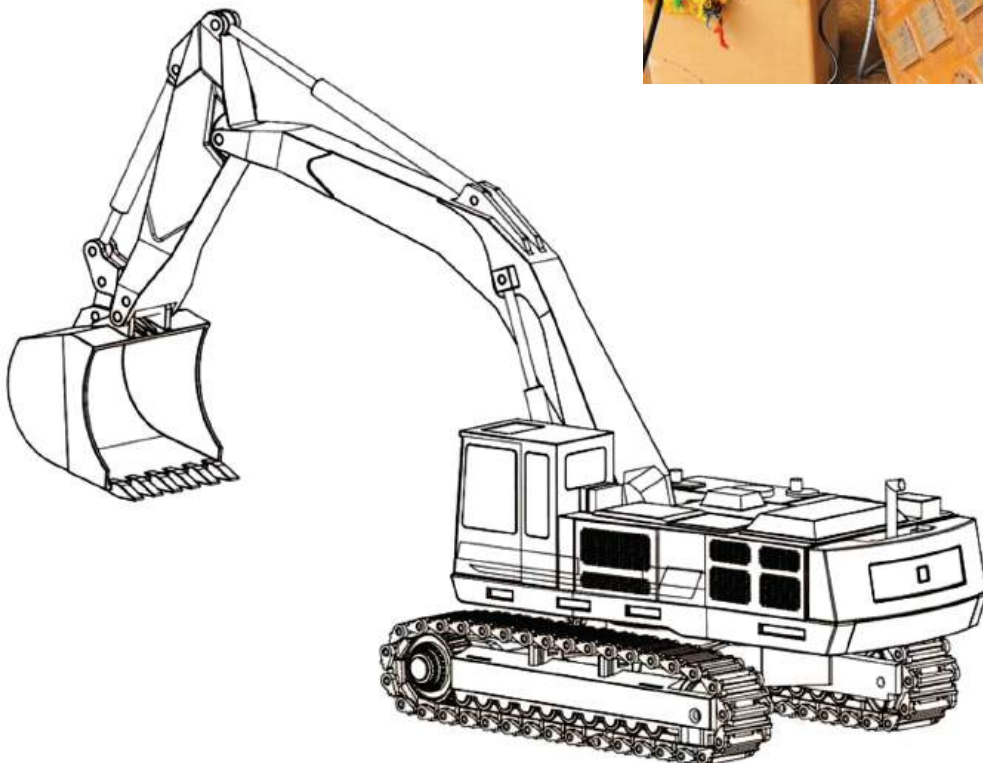
EXCAVATORS



STONE CRUSHER



EXCAVATORS





Our Valuable Clients

CONSTRUCTION



MINING



OTHER INDUSTERS



**1000+ DOMESTIC & INTERNATIONAL
CUSTOMER BASE**

TOP CLIENTS



TATA HITACHI

DEALERS

HYUNDAI

DEALERS

VOLVO
DEALERS

 **Epiroc**

 **SANY**
DEALERS


equipcare

 **HD** HYUNDAI
CONSTRUCTION EQUIPMENT

 **HIC VALVES**
PVT. LTD.

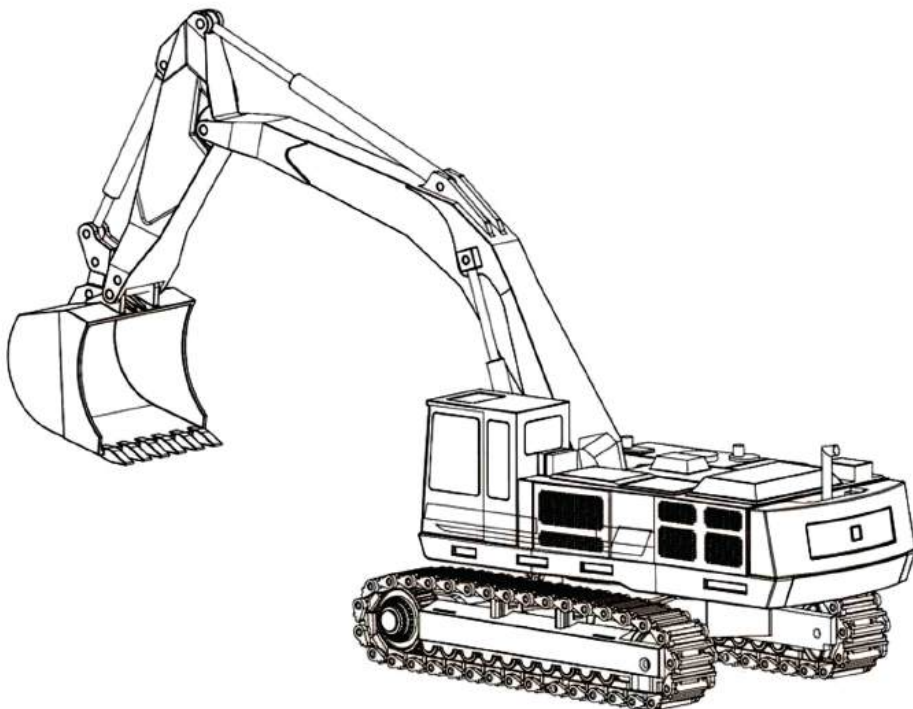
एनएमडीसी

NMDC

ADITYA BIRLA

HINDALCO

RELIANCE
Power



BOSS

BOSS

PR CRANE & EARTMOVERS



Contact Person :
PANKAJ BHARDWAJ
Contact No.: +91 79768 34856
Email : prcraneandearthmovers@gmail.com



Contact Person :
PRAKHAR BHARDWAJ
Contact No.: +91 99015 85506
Email : prakhar@wearebos.in

HEAD OFFICE

352, B-Block, Transport Nagar,
Balicha, Udaipur, Rajasthan - 313002

BRANCH OFFICE

No.2/4/2, Godown 4th Block, 2nd Main,
Goraguntepalya, Yeshwanthpura,
Bangalore, Karnataka - 560022

www.wearebos.in